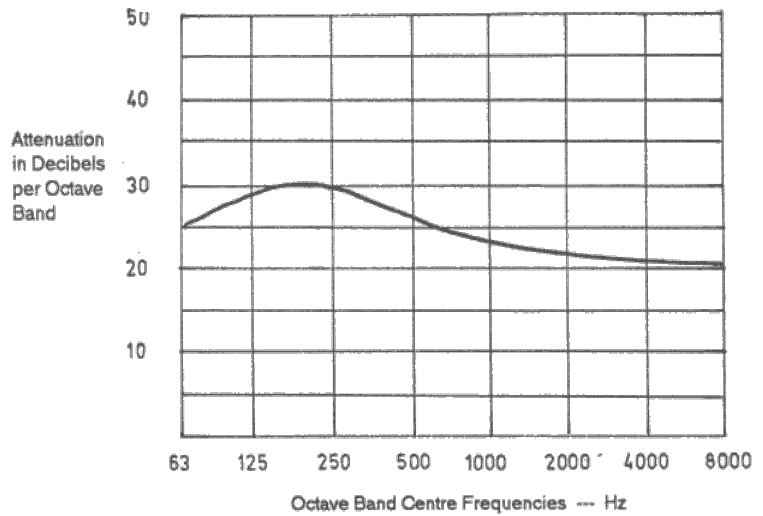


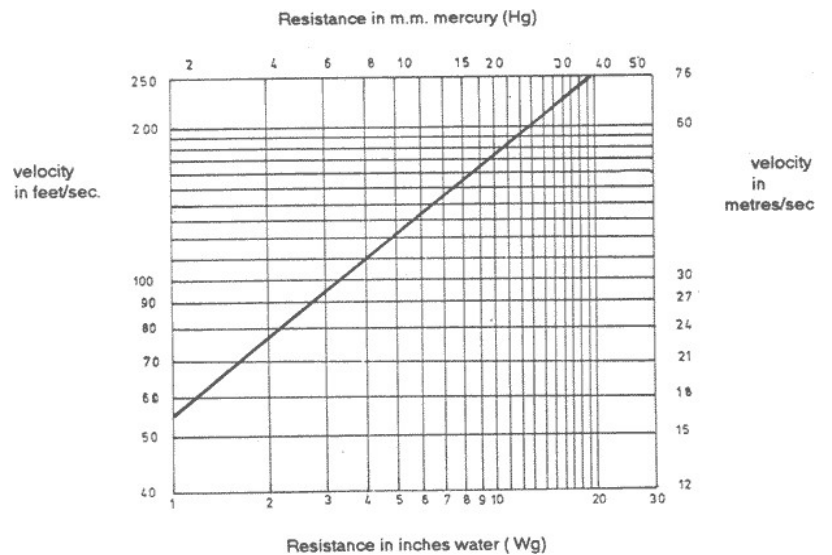
## SN122 Multipath, or Reactive Residential Duty Silencers

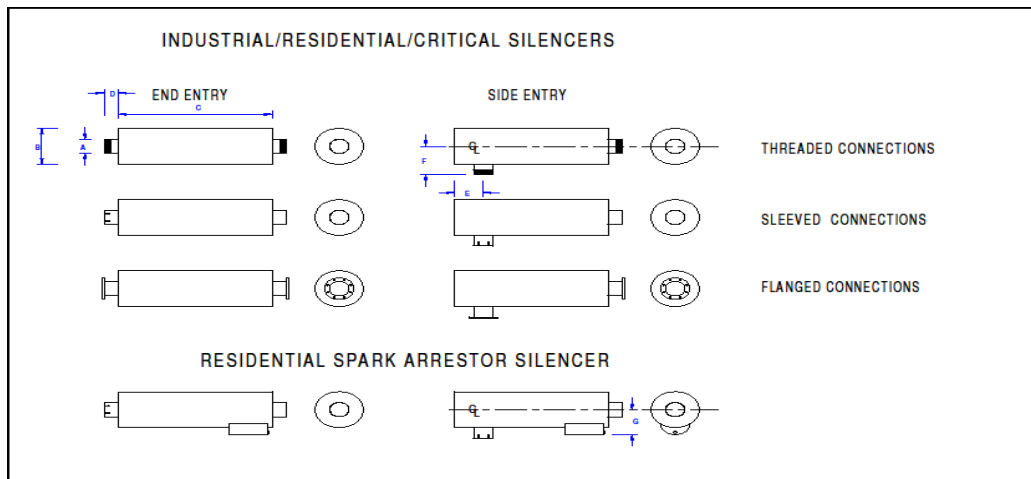
These silencers are designed on the reactive principle with twin chambers in which the exhaust gases are mixed and smoothed, thus absorbing a high proportion of the acoustic energy without causing excessive back pressure. They can also be used as primary silencers in a multi silencer system.

### Typical SN122 Silencer Attenuation



### Typical SN122 Silencer Velocity/Resistance





Nominal Bore (A)	Diameter (B)	Length (C)	(D)	(E)	(F)	Approx. weight (kilos)
38 (1½")	200 (8")	685 (27")		53		14
50 (2")	254 (10")	813 (32")		63		16
64 (2½")	305 (12")	914 (46")		76		22
76 (3")	355 (14")	1000 (39")		102		30
89 (3½")	406 (16")	1000 (39")	76	127	279	43
100 (4")	406 (16")	1219 (48")	76	127	279	47
125 (5")	457 (18")	1473 (58")	76	152	305	65
150 (6")	559 (22")	1676 (66")	76	165	356	90
200 (8")	660 (26")	1981 (78")	76	190	406	140
250 (10")	762 (30")	2438 (96")	89	229	470	260
300 (12")	914 (36")	2819 (111")	89	254	546	450
350 (14")	1000 (40")	3048 (120")	89	292	597	550
400 (16")	1168 (46")	3581 (141")	89	318	673	800
450 (18")	1270 (50")	3962 (156")	102	343	737	1000
500 (20")	1372 (54")	4343 (171")	102	381	787	1200
550 (22")	1524 (60")	4724 (186")	152	325	914	1580
600 (24")	1676 (66")	5000 (197")	152	350	990	2000

**Sonic Silencers Limited**  
Registered in England 10627739

[Richard.tanner@sonicsilencers.co.uk](mailto:Richard.tanner@sonicsilencers.co.uk)  
+44 (0) 7720 706621

