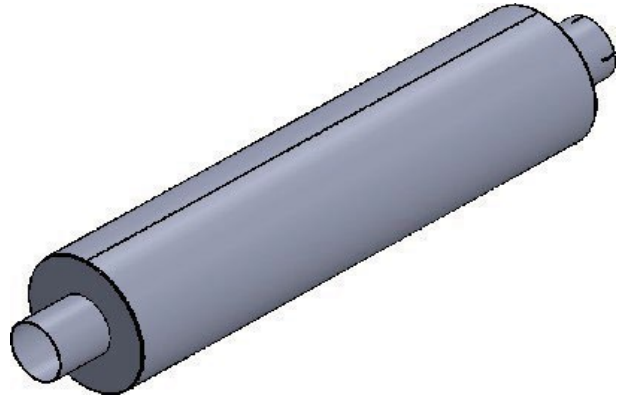
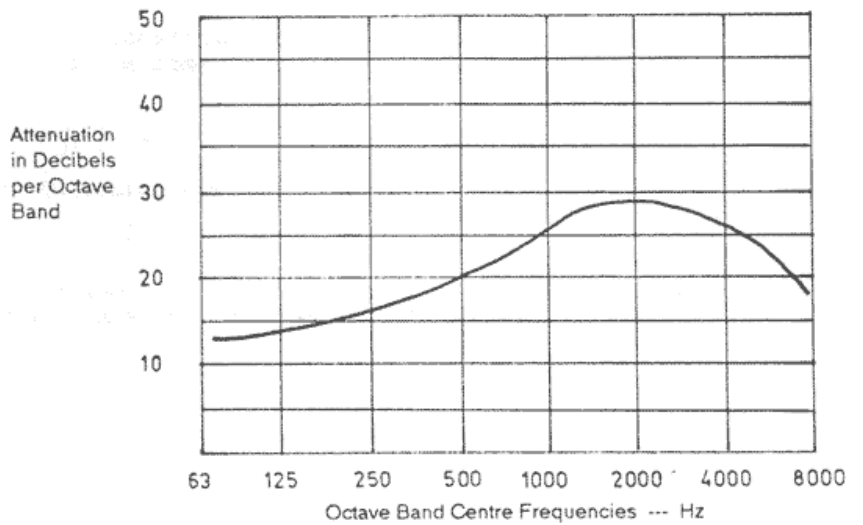


SN115 Medium Duty Silencers

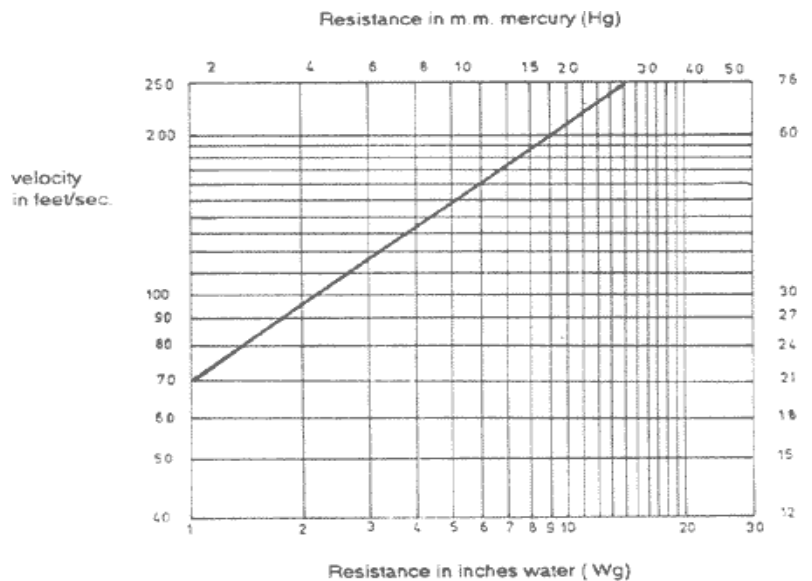
These silencers incorporate a multiple pass section to smooth the gas flow and a sound absorption section to attenuate the higher frequency sounds. They are suitable where moderate sound attenuation is required but space is limited. If higher attenuation is required and space is not restricted, we advise fitting an SN 114 or SN 116 type.

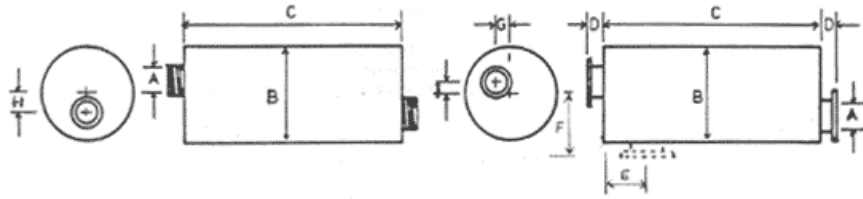


Typical SN115 Silencer Attenuation



Typical SN115 Silencer Velocity/Resistance





Nominal Bore (A)	Diameter (B)	Length (C)	(D)	(E)	(F)	(G)	(H)	(I)	Approx. weight (kilos)
25 (1")	101 (4")	254 (10")		38		14	16	8	1.5
32 (1¼")	101 (4")	305 (12")		38		17	21	11	2
38 (1½")	125 (5")	381 (15")		50		21	24	13	3
50 (2")	140 (5½")	508 (20")		50		27	30	14	4.5
64 (2½")	178 (7")	610 (24")		50		33	38	19	7
76 (3")	203 (8")	737 (29")		63		41	48	22	12
89 (3½")	254 (10")	737 (29")	76	75	203	44	51	25	21
100 (4")	279 (11")	889 (35")	76	75	216	52	59	29	27
125 (5")	356 (14")	889 (35")	76	83	254	65	75	37	32
150 (6")	406 (16")	1000 (39")	76	95	279	78	89	44	57

Sonic Silencers Limited
Registered in England 10627739

Richard.tanner@sonicsilencers.co.uk
+44 (0) 7720 706621

