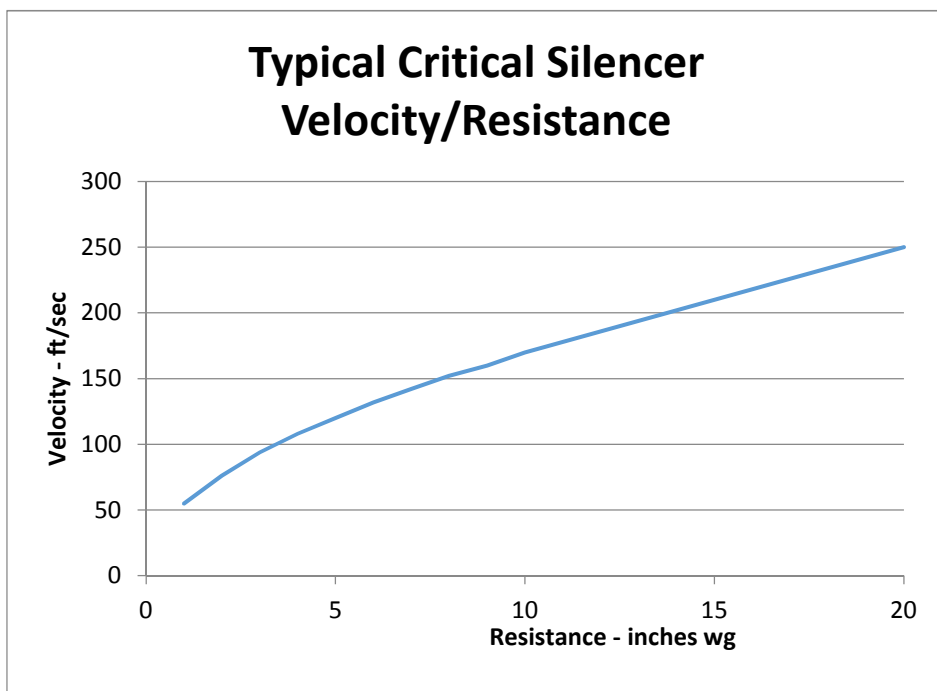
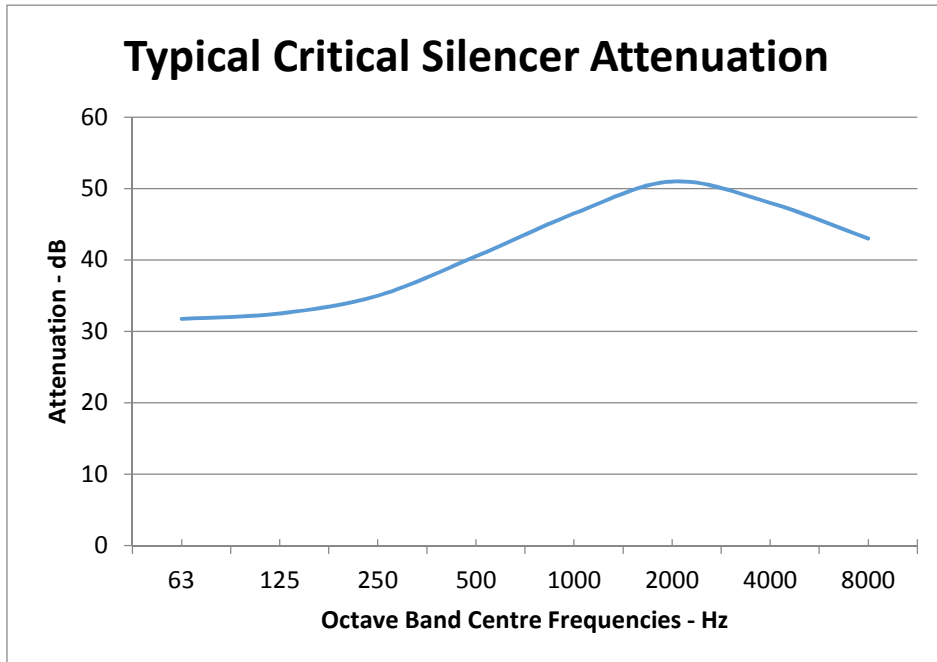
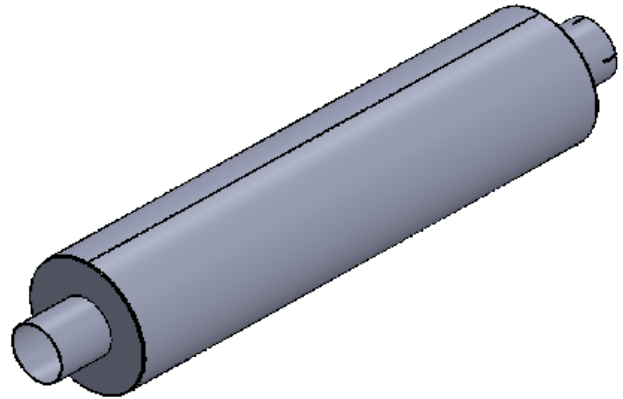


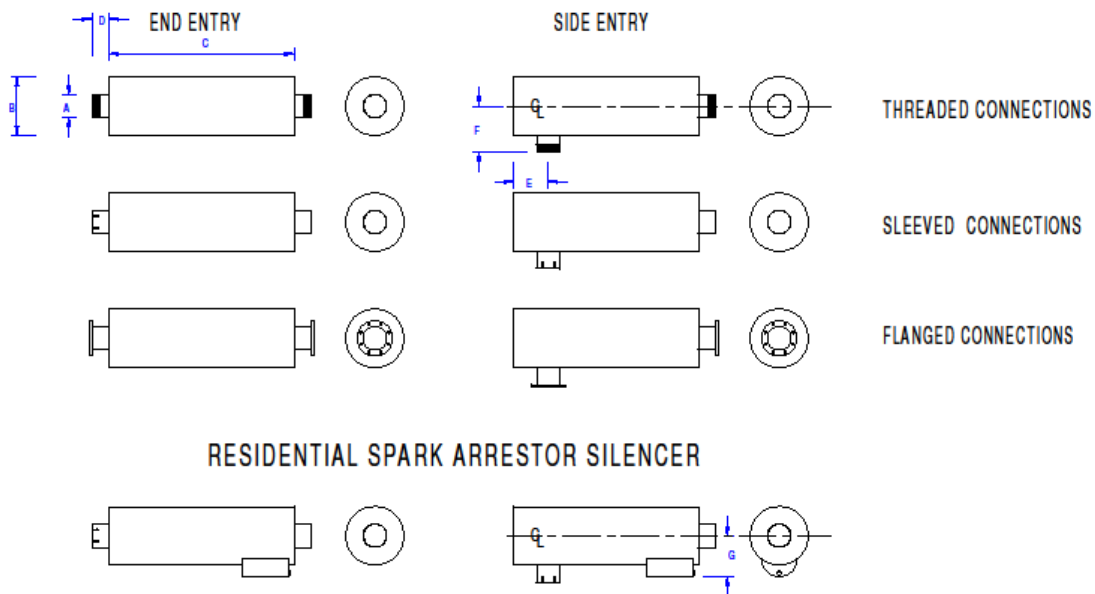
Critical Silencers

Also known as 'hospital grade' silencers, this range offers the maximum level of attenuation without creating excessive back pressure.

Additional sound absorbing insulation is utilised further noise reduction and lower surface temperatures.



INDUSTRIAL/RESIDENTIAL/CRITICAL SILENCERS



Nominal Bore - A		Diameter - B		Length - C		D	E	F	Approximate Weight
mm	inch	mm	inch	mm	inch	mm	mm	mm	kg
50	2	305	12	813	32	38	76	203	35
64	2½	305	12	914	36	28	89	229	45
76	3	356	14	1000	39	50	102	279	50
89	3½	457	18	1219	48	76	102	305	73
100	4	559	22	1219	48	76	127	356	85
125	5	610	24	1473	58	76	152	381	130
150	6	660	26	1676	66	76	165	406	155
200	8	762	30	2000	79	76	190	457	255
250	10	914	36	2438	96	89	229	546	460
300	12	1067	42	2819	111	89	254	622	755
350	14	1067	42	3048	120	89	292	622	985
400	16	1219	48	3581	141	89	318	700	1160
450	18	1372	54	3962	156	102	348	787	1350
500	20	1524	60	4343	171	102	381	864	1525

Sonic Silencers Limited
Registered in England 10627739

Richard.tanner@sonicsilencers.co.uk
+44 (0) 7720 706621



March 2017